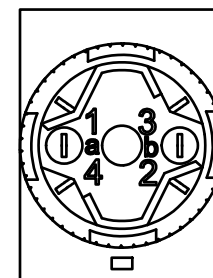
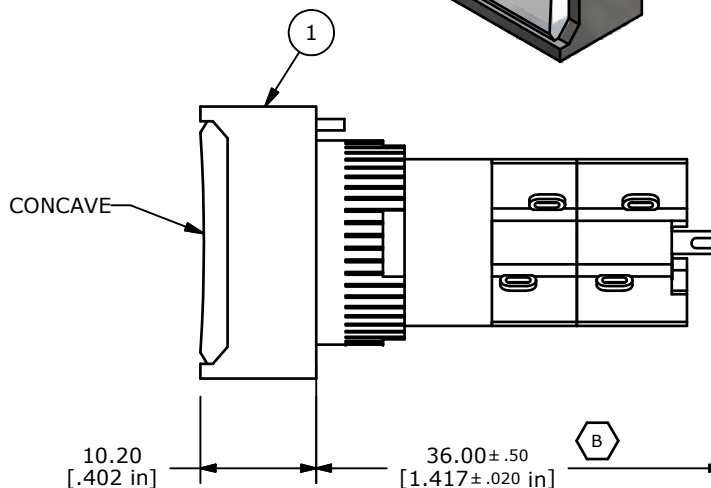
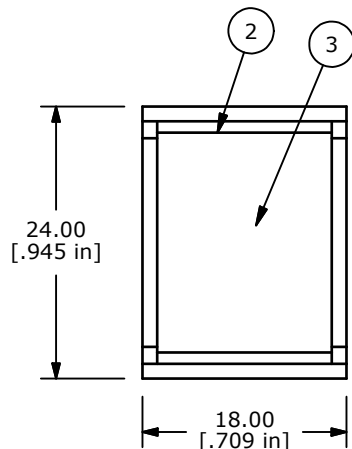
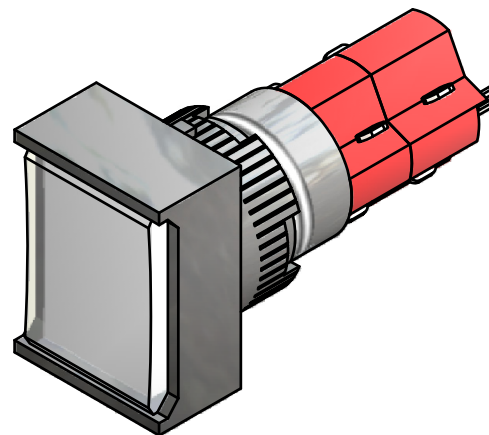
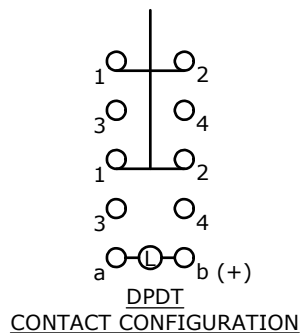


PANEL MOUNTING



- NOTE:
1. ALL DIMENSIONS IN MM [INCH]
  2. GENERAL TOLERANCE: X.X=±0.4  
X.XX=±0.25
  3. TERMINAL NUMBERS FOR REF ONLY
  4. MECHANICAL LIFE: 100,000 CYCLES
  5. ELECTRICAL LIFE: 50,000 CYCLES
  6. INSULATION RESISTANCE: 1,000 MILLI-OHM MIN.
  7. OPERATING TEMPERATURE: -25°C to 55°C
  - ▲8. LAMP VOLTAGE: 14V AC/DC, 80mA
  9. ▲ DENOTES CRITICAL PARAMETER.
  - ▲10. CONTACT RATING: 5A@250VAC, 8A@125VAC, 6A@24VDC
  11. ACTUATION FORCE: 300g/POLE
  12. 2002/95/EC (ROHS) COMPLIANT

PARTS LIST			
ITEM	QTY	PART NUMBER	DESCRIPTION
1	1	F040037	D16EET22
2	1	F050205	50-002-05 TRANSPARENT WHITE LENS
3	1	F050402	50-004-02 LAMP INCANDESCENT 6V AC/DC, 200mA

REV	PCR NO	DESCRIPTION	DATE	BY
C	19792	ADDED A 2 TO THE TITLE	3/28/11	BGL
B	19775	DRAWING UPDATE / CLEAN-UP	3/21/11	BGL

**E-SWITCH®**

TITLE **D16EET22AWHT**

SCALE	DATE	DR	DWG	REV
1.5:1	3/21/2011	BGL	XF0236P	C

THE INFORMATION CONTAINED IN THIS DOCUMENT IS PROPRIETARY TO E-SWITCH AND IS NOT TO BE COPIED OR TRANSFERRED